

Ultra series | IP Box

# UHG1182 Day & Night 4K Ultra HD IP Camera

www.meritlilin.com



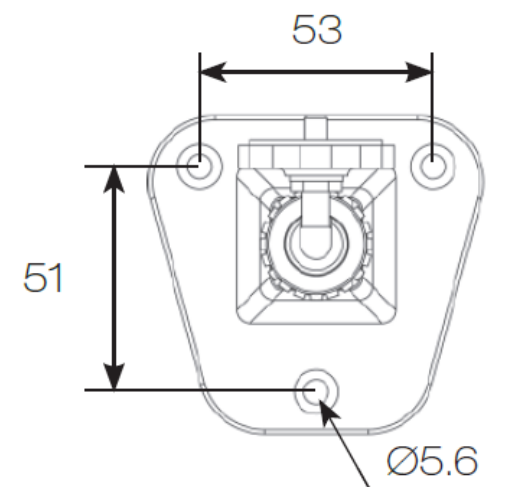
- ▶ 4K Ultra High Definition resolution 4070 (H) x 3046 (V) pixels
- ▶ Micro SD/SDHC/SDXC card recording supported
- ▶ Infrared cut filter for day/night operations

**Dimensions:**

70(W) x 50(H) x 135(D) mm



**Diagram of mounting holes: (unit in mm)**



**Four times HD picture with astonishing saturated colours**

4K Ultra HD Camera – UHG1182, is featuring 30 frames per second and 3,840-by-2,160-pixel picture. As the demand of super resolution in video surveillance is on the rise, 4K is the stepping stone of prevalent 1080P Full HD. LILIN's new 4K Ultra HD network camera, UHG1182, enhances HD images by providing four times HD picture with beautifully natural detail and astonishing saturated colours



## Day & Night 4K Ultra HD IP Camera

### Video performance

Model#	UHG1182E
Low Light Mode	0.5 Lux at F1.2 (Color);0.1 Lux at F1.2 (B/W)
With Infrared	0.0 lux
2D WDR	Off / Auto / x2 / x3/ x4 (by normal mode)

### Power

Power consumption	DC12V, 7.2W / PoE, 8W
PoE	IEEE802.3af
Power supply	DC12V ±10% Power over Ethernet (IEEE 802.3af compliant)

### Sensor

Sensor type	1/2.3-inch CMOS
Total sensor pixels	4072 (H) x 3046 (V) = 12,403,312 pixels

### Certifications

CE	Yes, EMI CLASS A
FCC	Yes, EMI CLASS A

### Environmental

Operating temperature	-25°C to 50°C (-13°F to 122°F)
-----------------------	--------------------------------

### PC requirement

CPU	Intel Core 2 Duo E6400 2.13GHz or above
RAM	2GB or above, Independent Display Card
OS	Windows 2000, Windows XP, Windows Vista, Windows 7, Windows 8

### Mechanical

Dimensions (W x H x D)	70 x 50 x 135mm
Weight	420g approx.

### Input / output

Audio input / output	Mono, 1.4 Vp-p , 50 KΩ , 3.5mm phone jack
Alarm input / output	Digital 1 input (TTL, +3 – 5VDC) / 1 Output (MOS Relay contact N.O., Load max. 40VDC/300mA)
Live video output	CVBS 1.0Vp-p, 75 ohm, RCA connector

### Video streaming

Video compression	H.264 (main & high profile); M-JPEG
Streaming	RTP/HTTP, RTP/TCP, RTP/UDP, Multicast
Bitrate	128Kbps ~ 12Mbps Frame rate and bit rate controllable on-the-fly VBR / CBR / GOP supported

### Network security

Max number of online users	10 users accounts available
Access	Multiple user access levels with password protection
Encryption	Base 64 HTTP encryption
IP filter	Yes
RTSP Authentication	On / Off

### Video resolution (H x V)

4K	3840 x 2160
1080p HD	1920 x 1080
720p HD	1280 x 720
D1	720 x 480
CIF	352 x 240
Frame rate	Single-stream mode, H.264 : up to 30 fps @ 3840 x 2160 ( Video only support preview mode) Multi-stream mode, H.264 : up to 24fps @ 3840 x 2160, 30 fps @ 1920 x 1080, Motion JPEG : up to 30fps @ 1920 x 1080

### Video functions

Day/Night (IR-cut filter)	Colour (Day), Monochrome (Night), Auto, Schedule, External control
Scanning system	Progressive scan
Adjustable picture setting	Contrast, Brightness, Saturation
White balance	Auto / Tungsten / Indoor / Fluorescents1 / Fluorescents2 / Outdoor1 / Outdoor2
Shutter	1/30(1/25)s to 1/30000s
Back light compensation	On / Off
3D noise reduction	Off / 1 to 32 selectable
Privacy masking	Four independent areas
Sense Up	Off / 1 frame / 2 frames
Sense Up+	Yes
Auto gain control	36 dB variable gain
Other functions	Sharpness, Image flip, Image mirror, Defog, Hue
D/N quality setting	Yes

### Integration

Mobile application	Integrated to LILIN mobile app (LILIN Pro) iPhone, iPad, Android support
Video management	ONVIF Profile S LILIN NAV 1.0 Third party VMS through LILIN HTTP API
SD card recording	Support Micro SD/SDHC/SDXC card for circular recording (card is not included)
Web browser	Microsoft® Internet Explorer® 6.0 and later
Firmware	Firmware upgrade via HTTP
Alarm functions	Tampering / audio / motion /alarm detection triggering recording into SD card Image upload over HTTP, FTP, and E-mail by tampering / audio / motion detection
Alarm event	FTP,SMTP, HTTP post, SD card, SAMBA
Alarm weighted mode	Yes

### Network

Ethernet	10/100/1000 Mbps Base-T (Tx), RJ-45
Connectivity	ONVIF Profile S
Users	8 simultaneous users
ePTZ & digital zoom	Yes, ROI (Region of Interest) is supported
OSD	Text overlay for date, time and camera name
CPU, Memory	Embedded SoC, 1.2GHz Dual ARM Cortex-A9 & 600MHz ARM11, 1GB DDR3, 256MB flash memory
Video display	LILIN Universal ActiveX & LILIN Java Applet
OS	Embedded Linux 3.8.0
Audio	Two-way Audio, G.711 u-law / PCM / AAC, Built-in Microphone
Protocols	IPv4, IPv6, TCP, UDP, HTTP, SMTP, NTP, DDNS, UPnP, FTP, ARP, DHCP, PPPoE, DNS, RTSP, RTCP, Telnet, ICMP, IGMP, ONVIF Profile S,
Multi IP address	Yes