

# ZMR6442AX-P 4MP Day & Night Auto Focus IR Vandal Resistant Dome IP Camera

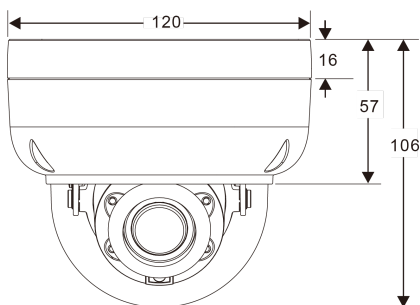
www.meritlilin.com



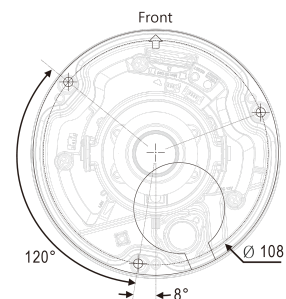
- ▶ Full HD 4 megapixel CMOS image sensor
- ▶ 4MP True H.264 AVC High Profile video compression
- ▶ H.264 and Motion JPEG multi-profile video streaming
- ▶ Auto focus with zoom / focus motorized lens
- ▶ P-IRIS supported
- ▶ Smart H.264 supported
- ▶ 3D noise reduction (MCTF)
- ▶ 2D WDR function
- ▶ HDR function up to 100dB
- ▶ Digital PTZ supported
- ▶ IVS supported
- ▶ Tampering / Audio / Motion detection alarm function
- ▶ High efficiency IR LED, radiant distance up to 30m
- ▶ Day & Night (IR cut removable)
- ▶ 2-way audio supported
- ▶ Digital I/O : 1 in, 1 out
- ▶ Impact Resistant Polycarbonate Dome Cover
- ▶ 3-Axis construction
- ▶ ONVIF Profile S supported
- ▶ IP67 rain and dust resistant
- ▶ Vandal resistant approve

## Dimensions

Ø120 × 106 mm



## Diagram of mounting holes:(unit in mm)



ZMR6442AX-P is a day & night 4MP auto-focused vandal resistant dome IR IP camera designed into a range of environments such as retail, home, office, residential premises and hotel security. It features a full HD 4.0 megapixel CMOS image sensor. The camera has built-in IR-cut filter which allows clearer images at day and night operations even in the low lux condition. The high efficiency IR LED radiant distance can extend up to 30m. Its auto focus feature allows users to automatically focus the camera from a distant location. With motorized lens, all you need to do with zoom/focus adjustments is simply a click on browsers. It also has P-Iris which is very good to have larger depth of field, so no matter far and close objects are still clear with correct focus. Supported with privacy mask, 3D noise reduction, 2D WDR function, and HDR function up to 100dB, ZMR6442AX-P ensures to deliver a clear and detailed image to the users.

## Wind and Rain Standards

Meet international IP67 standards for dust and moisture resistant allowing you to install cameras in environments subject to wind and rain



## Impact Resistant

IK10-certified housing designed to protect the camera from destructive behavior



## Two-way Audio Support

With 2-way audio communication, you can project your voice through the camera's speaker instead of hearing what's going on (1-way audio)



## Day and Night Operations via Removal of the IR-cut filter

ZMR6442AX-P camera was designed using a mechanical IR cut filter for increased IR sensitivity resulting in improved night time images. The removable IR-cut filter allows day and night operations even in the low lux condition providing outstanding vision



## Sense Up+

Deliver outstanding video outputs in poor light conditions without experiencing motion blur. You can see video clearly even during nighttime without sufficient lighting support



## 3D Noise Reduction

Remove noise from a signal. Suppressing noise in an image in low light conditions and able to retain quality videos at the same time



## Wide Dynamic Range (WDR)

Wide Dynamic Range (WDR) displays details of both the brightest and darkest areas. WDR can extend image visibility under high contrast lighting scenes and improve image quality



## High Dynamic Range

An High Dynamic Range (HDR) image is made by taking 3 frames of the same scene and each at different shutter speeds to display details of both the darkest and brightest areas. HDR can extend image visibility under high contrast lighting scenes and improve image quality



## Tripwire Detection

Tripwire Detection can be used where physical security is impractical or even impossible; i.e. railway tracks. An alarm can be enabled in either directions across the tripwire. Line Crossing that an object crossing a line drawn anywhere in the scene can be detected, and also Zone Intrusion that any arbitrary shape zone can be set to monitor intrusion



## Object Counting

Object Counting is able to accurately to input images containing similar objects. Intelligent Object Counting technology includes People Counting feature – people enter or exit an area over time can be counted, as well as Vehicle Counting feature – to detect and track vehicle in real-time



## Alarm Detection

Alarm Detection is designed to provide the electronic detection of intruders



## Audio Detection

With Audio Detection technology, an alarm is triggered based on ambient sound conditions as the threshold



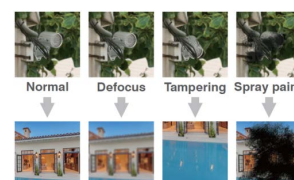
## Motion Detection

Detect motion and capture the event. Motion in the selected area will provoke an alert.



## Tamper Detection

Automatically detects camera sabotage or failure. Detects any attempts to tamper with the camera – partially or completely blocking its lens or field of view



## 4MP Day & Night Auto Focus IR Vandal Resistant Dome IP Camera

### Video Performance

Model	ZMR6442AX-P
Min. Illumination	Color : 0.2 Lux at F1.4 ; B/W : 0.04 Lux at F1.4 ; 0 Lux with IR LED ON

### Power and Environment

Starting Temperature	-10°C – +50°C (14°F – 122°F)
Operating Temperature	-40°C – +50°C (-40°F – 122°F)
Storage Temperature	-25°C – +60°C (-13°F – 140°F)
Humidity	0% – 90% RH
Power Supply	DC12V ±10% / PoE (IEEE 802.3af compliant)
Power Consumption	DC12V, 7.4W / PoE, 9W

### Lens / Night vision (infrared LED)

Focal Length	2.8 – 12 mm (zoom / focus motorized)
Iris	F1.4 (W) – F2.8 (T)
Angle of View	89.3° (W) – 30.4° (T) (H) 47.5° (W) – 17.1° (T) (V) 101.7° (W) – 34.2° (T) (D)
Peak Wavelength	850nm
Beam Spread	60° , 90°
Radiant Distance	30M

### Sensor

Pick Up Element	1/3" CMOS image sensor
Effective Pixels	2688 (H) × 1520 (V) = 4,085,760 (pixels)

### Certifications

CE	Yes, EMI CLASS B
FCC	Yes, EMI CLASS B
IP Rating	IP67
Vandal Resistant Rating	IK10

### PC Requirements

CPU	Intel® Core™ i3 or higher grade
OS	Windows 7 or above
RAM	4GB or above, Dedicated Graphics Card
Web browser	Microsoft® Internet Explorer® 9 or above

### Mechanical

Dimension	Ø120 × 106 mm
Weight	760g

### Input / Output

Audio Input / Output	Mono, 1.98 Vp-p , 2.2KΩ , Terminal Block
Live Video Output	CVBS 1.0Vp-p, 75 ohm, connector
Audio	Two-way Audio, G.711 / PCM / AAC
Alarm Input / Output	Digital 1 input (TTL, +3 – 5VDC) / 1 Output (MOS Relay contact N.O., Load max. 40VDC/300mA), Terminal block

### Video Streaming

Video Compression	H.264 main and high profile, Motion JPEG
Video Streaming	RTP/HTTP, RTP/TCP, RTP/UDP, Multicast
Number of streams	4
Video Bitrate	128Kbps – 12Mbps; Frame rate and bit rate controllable on-the-fly; VBR / CBR / GOP supported, Fixed bitrate, Smart H.264

### Network Security

Encryption	Base64 HTTP encryption, HTTPS encryption
Authentication	Digest HTTP authentication, RTSP authentication
Address Filter	IP address filter, MAC address filter
Access	Multiple user access levels with password protection
User accounts	10 simultaneous users
Multi IP address	Yes

### Video Resolutions (H x V)

Resolution	4MP(2688 × 1520), 3.6MP(2560 × 1440), 3MP(2304 × 1296), 2MP(1920 × 1080), 1.3MP(1280 × 960), 1MP(1280 × 720), D1(720 × 480, 720 × 576), VGA(640 × 480), CIF(352 × 240)
Maximum Frame Rate	H.264 / MJPEG : up to 20 fps @ 2688 × 1520

### Video Functions

Scanning System	Progressive Scan
Infrared Cut Filter	Auto / Day (Color) / Night (Mono) / Schedule
White Balance	Auto / Tungsten / Indoor / Fluorescents1 / Fluorescents2 / Outdoor1 / Custom
Electrical Shutter	1/30(1/25)s – 1/20000s
Sense Up	Off / 1 Frame / 2 Frames
Sense Up+	Yes
Auto Gain Control	36 dB Variable Gain
S/N Ratio	More than 50dB (AGC off)
3D Noise Reduction	Off / 1 – 32 Selectable
2D WDR	Off / Auto / x2 / x3 / x4 (by normal mode)
High Dynamic Range	Up to 100dB (by HDR mode, 2 shutter line interleave)
Privacy Masking	Off / On (4 zones)
Image Effects	Brightness, Contrast, Hue, Saturation, Sharpness, Mirror, Flip, Lens Distortion Correction
Auto Focus	One Push

### Integration

Mobile Application	Integrated to LILIN mobile app (LILIN Pro) iPhone, iPad, Android support
Video Management	ONVIF Profile S, LILIN Navigator Enterprise 5.0, Third party VMS through LILIN HTTP API
SD Card Recording	Support Micro SD/SDHC/SDXC card for circular recording (card is not included)
Maintenance	Firmware update via HTTP and IP Scan; Firmware available at web site
IVS Basic	Motion Detection, Tampering Detection, Advanced Motion Detection, Tripwire, Traffic Light Detection, Object Counting
Event Triggers	Motion / Tamper / Audio / Alarm / Network lost detection
Event actions	FTP / SMTP / HTTP post / SD card / SAMBA / SMTP Trap / Alarm Output
Languages	English, Traditional Chinese, Simplified Chinese, Spanish, Italian, Turkish, Russian, Korean, French, Arabic, Hungarian, Japanese

### Network

Ethernet	10/100 Mbps Base-T (Tx), RJ-45
ePTZ & Digital Zoom	Yes, ROI (Region of Interest)
OSD	Text overlay for date, time, and camera name
CPU, Memory	Embedded SoC ARM Cortex-A9, 600MHz, 256MB DDR3, 256MB flash memory
OS	Embedded Linux 3.10
Network Protocols	IPv4, IPv6, TCP, UDP, HTTP, HTTPS, SMTP, SIP, MQTT, QoS, SNMP, SNMP Trap, NTP, DDNS, UPnP, FTP, ARP, DHCP, PPPoE, DNS, RTSP, RTCP, Telnet, ICMP, IGMP, ONVIF Profile S, SDDP, Bonjour, SIP
Max number of online users	10 user accounts available
Video Display	LILIN Universal ActiveX & HTML5

### Warranty

Warranty	3 Year(s)
----------	-----------